

E3... Heating Thermostat with LCD Screen



E3...

Introduction

Heating thermostat with LCD screen has manual mode and energy saving mode. The thermostat is recommended for the control of electric heating device or on/off valve actuator in hydronic underfloor heating.

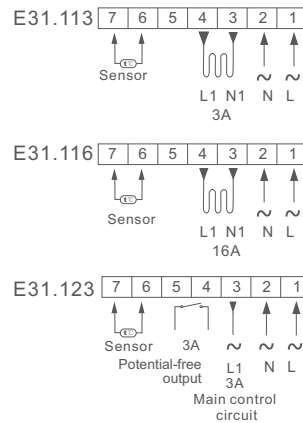
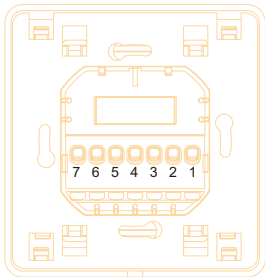
Application

For the control of warm-water (floor) heating systems and direct electric heating systems used in Commercial buildings, Residential buildings, Light industrial buildings...

Technical data

Voltage	220V/230V
Power consumption	2W
Setting range	5~35°C (Can adjust to 5-90°C)
External limitation	5...60°C(Factory setting:35°C)
Sensor	NTC internal/external sensor
Switch differential	0.5-10°Cadjustable(Factory setting:±1°C)
Ambient temperature	-5~50°C
Protective housing	IP20
Housing material	Anti-flammable PC

Wiring diagram



Selection table

Model Number	Current	Control Method
E31.113	3A	Built-in&floor sensor, floor limit sensor
E31.123	3A	Built-in&floor sensor, floor limit sensor, a potential-free output
E31.116	16A	Built-in&floor sensor, floor limit sensor